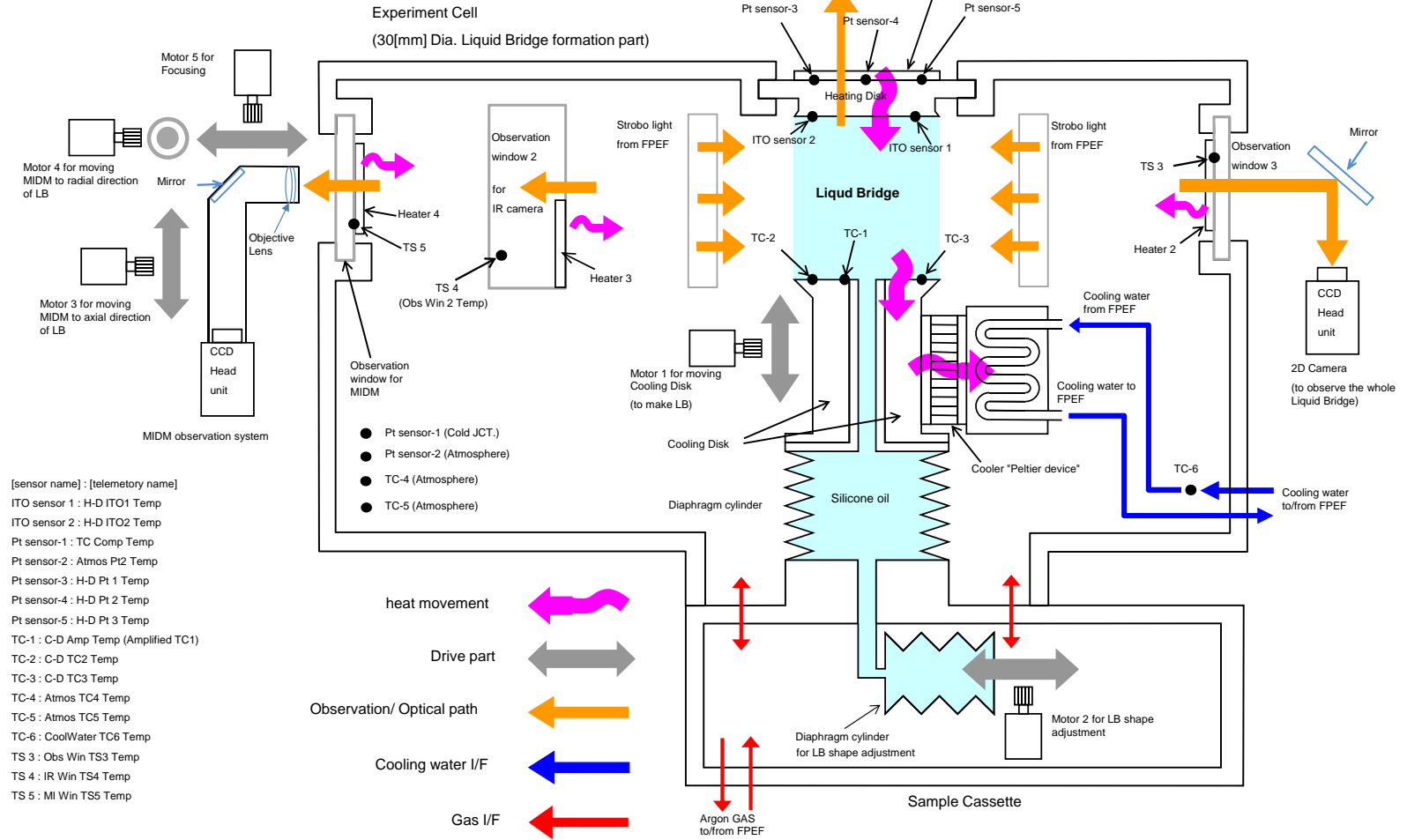


MD30 Diagram



- [sensor name] : [telemetry name]
- ITO sensor 1 : H-D ITO1 Temp
 - ITO sensor 2 : H-D ITO2 Temp
 - Pt sensor-1 : TC Comp Temp
 - Pt sensor-2 : Atmos Pt2 Temp
 - Pt sensor-3 : H-D Pt 1 Temp
 - Pt sensor-4 : H-D Pt 2 Temp
 - Pt sensor-5 : H-D Pt 3 Temp
 - TC-1 : C-D Amp Temp (Amplified TC1)
 - TC-2 : C-D TC2 Temp
 - TC-3 : C-D TC3 Temp
 - TC-4 : Atmos TC4 Temp
 - TC-5 : Atmos TC5 Temp
 - TC-6 : CoolWater TC6 Temp
 - TS 3 : Obs Win TS3 Temp
 - TS 4 : IR Win TS4 Temp
 - TS 5 : MI Win TS5 Temp

- [Acronym]
- | | |
|---|--|
| C-D: Cooling Disk | LB: Liquid Bridge |
| EC: Experiment Cell | LS: Limit Switch |
| FPEF: Fluid Physics Experiment Facility | MIDM: Microscopic Imaging Displacement Meter |
| H-D: Heating Disk | Pt: Platinum |
| ITO: Indium Tin Oxide | TC: ThermoCouple |