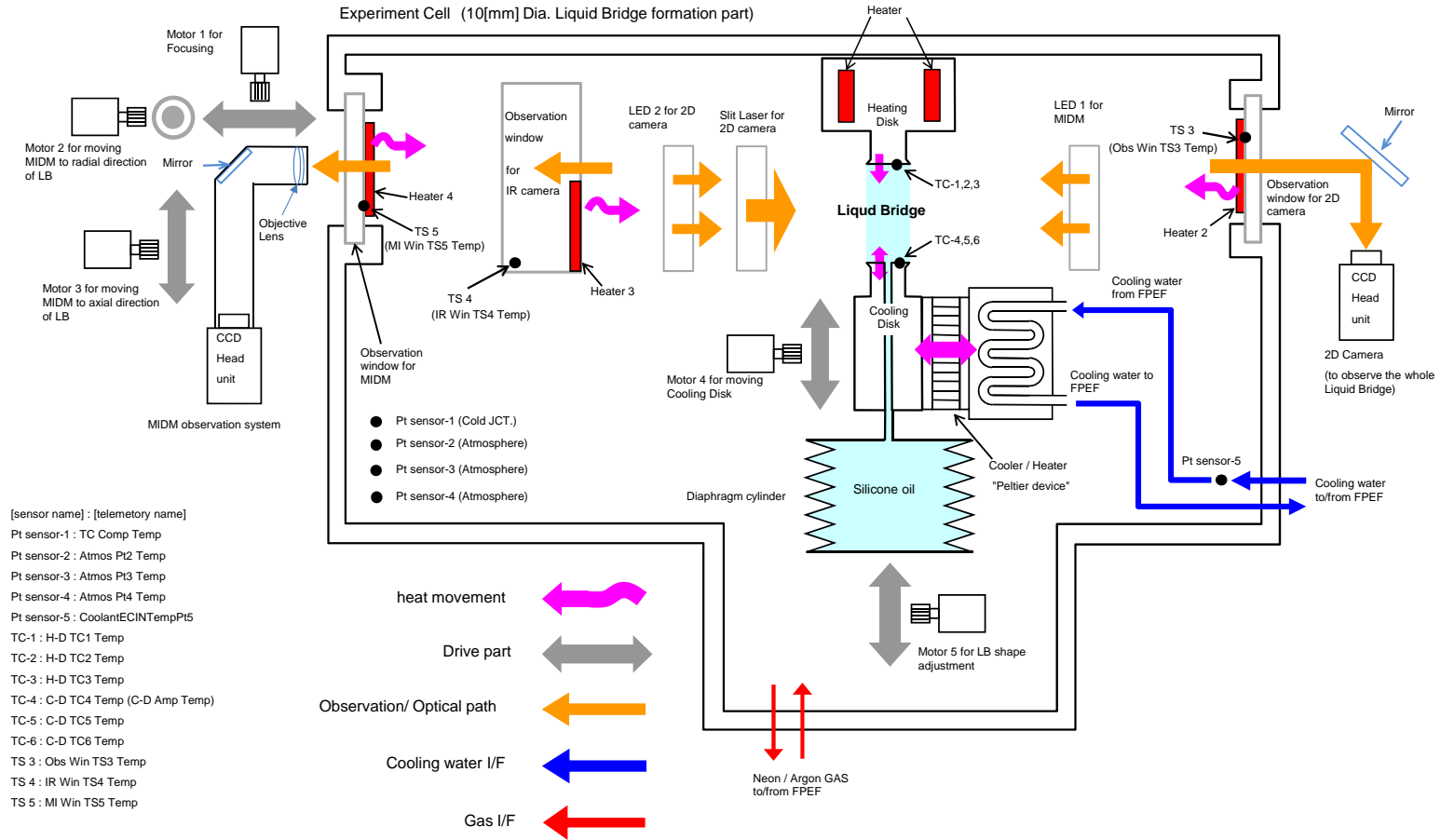


# MD10 Diagram



[sensor name] : [telemetry name]  
 Pt sensor-1 : TC Comp Temp  
 Pt sensor-2 : Atmos Pt2 Temp  
 Pt sensor-3 : Atmos Pt3 Temp  
 Pt sensor-4 : Atmos Pt4 Temp  
 Pt sensor-5 : CoolantECINTempPt5  
 TC-1 : H-D TC1 Temp  
 TC-2 : H-D TC2 Temp  
 TC-3 : H-D TC3 Temp  
 TC-4 : C-D TC4 Temp (C-D Amp Temp)  
 TC-5 : C-D TC5 Temp  
 TC-6 : C-D TC6 Temp  
 TS 3 : Obs Win TS3 Temp  
 TS 4 : IR Win TS4 Temp  
 TS 5 : MI Win TS5 Temp

[Acronym]  
 C-D: Cooling Disk  
 EC: Experiment Cell  
 FPEF: Fluid Physics Experiment Facility  
 H-D: Heating Disk  
 IR: Infrared (Infrared image)

LB: Liquid Bridge  
 MIDM: Microscopic Imaging Displacement Meter  
 Pt: Platinum  
 TC: ThermoCouple